

型号 Model: TRF-370CH

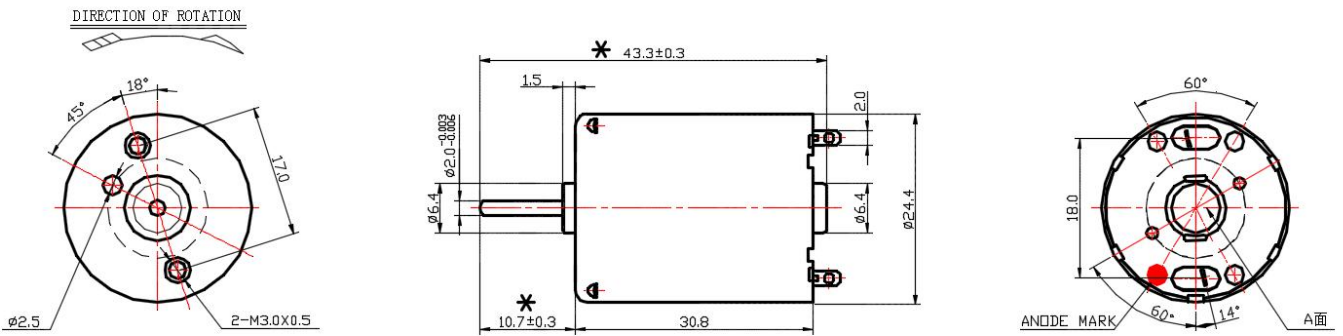
电压 Voltage: 1.5-24V

转速 Speed: 2000-30000rpm

应用领域 Application Fields: 机器人 Robots, 电子门锁 Lockset,  
玩具 Toys, 家电 Appliances,  
办公设备 Office equipments.

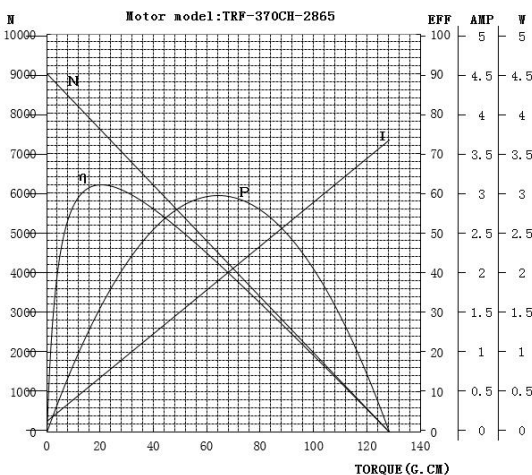


外型尺寸/DRAWING(mm)



电机参数/Motor Data:

型号 Model	始动电压 Start voltage	额定电压 Rated voltage	空载转速 No Load Speed	空载电流 No Load current	负载 Load	负载转速 Load Speed	负载电流 load current	堵转力矩 Stall torque	功率 Power
	V	V	rpm	A	g.cm	rpm	A	g.cm	W
TRF-370CH-2865	1.5	3.7	9000	0.18	20.0	7600	0.75	110	2.95
TRF-370CH-15330	1.5	12	4780	0.03	40	3820	0.17	200	2.2



备注 Remarks

- 电机测试环境温度 常温 25-30°C  
Ambient temperature 25-30°C
- 外型图中带\*尺寸可按客户要求调整。  
Dimension with \* in the drawing can be adjusted according to customer's requirement.
- 可按客户要求进行性能,安装,电源连接方式,外型尺寸的设计。  
Motor can be designed upon customer's requirements on performance, installation, power connection method and motor dimension.

1inch=25.4mm  
1g.cm=0.098mN.m

1mm=0.0394inch  
1mN.m=10.2g.cm